



Traditional & Totalview Inside Fit Glass Doors For Masonry Fireplaces

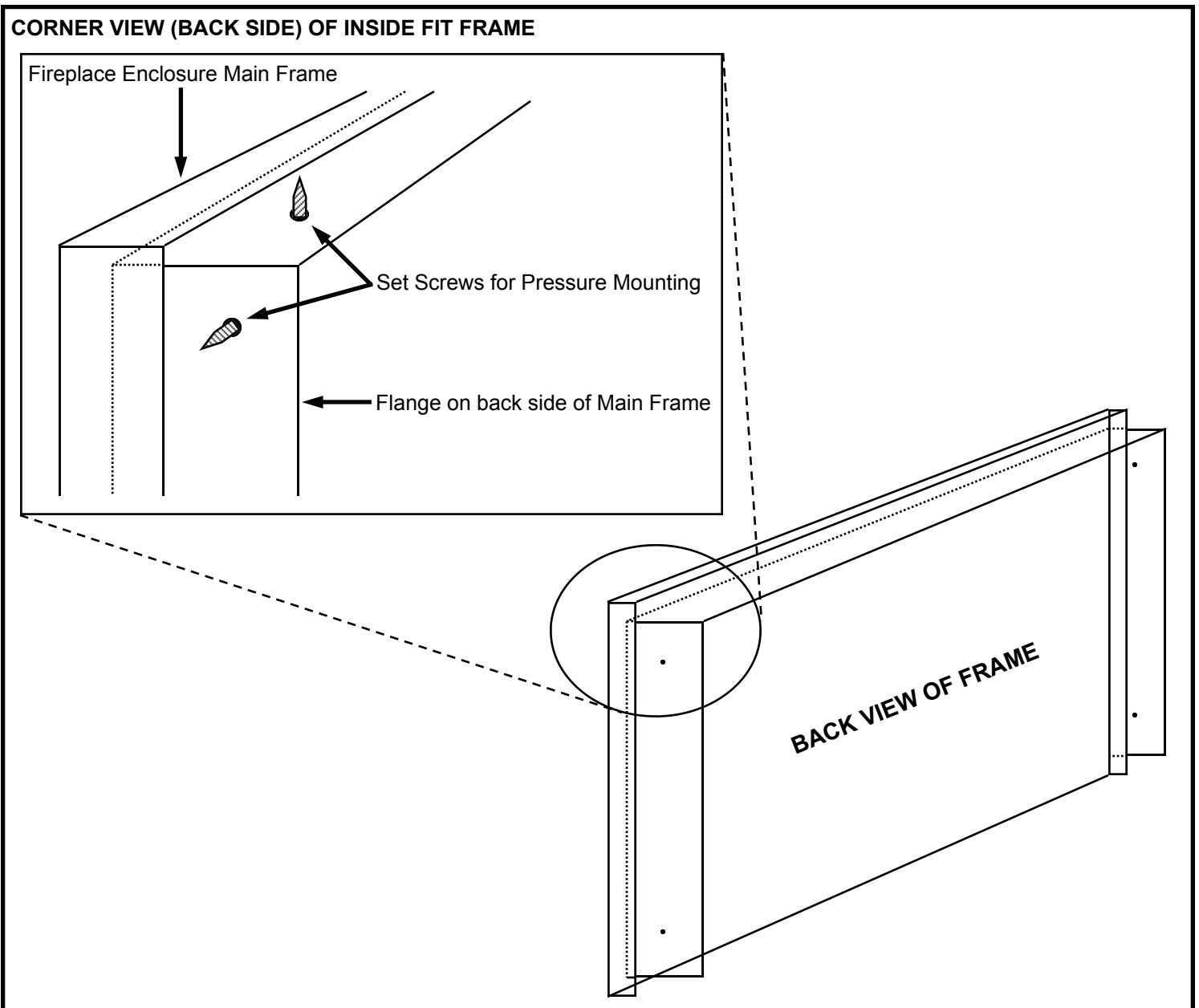
Installation Instructions

Don't light that fire until you have read these important instructions. Be sure this unit is installed per instructions below. Misalignment of frame can cause glass breakage and improper operation of doors and draft assembly.

INSTALLATION

Installation of this enclosure a simple procedure. The only tool required is provided allen wrench.

1. Remove doors from enclosure frame carefully to avoid scratching finish.
2. Place main frame of enclosure inside the opening of fireplace.
3. Use allen wrench to tighten all set screws against the side walls and ceiling of the fireplace. Do not completely tighten the set screws, because you may need to make some adjustments for the doors to hang level and align properly.
4. Replace doors carefully. Once doors are hanging level and aligned, completely tighten all set screws.



OPERATION

- Build a small fire at least 5 inches from the enclosure. Keep the fire as small as possible to conserve fuel and to keep glass clean longer. Keeping the fire away from the front will also prevent any discoloration of the brass and metal due to the heat. The manufacturer will not replace any brass or metal that has been discolored due to building a fire too near the enclosure.
- To get maximum heat from your fuel, leave the glass doors open while you are in the room. Upon retiring or leaving the room, close the doors and draft assembly to reduce heat loss up the chimney and to insure absolute safety. Never leave the room with the glass and screen doors open.

CLEANING

- The glass should be washed often, using any household cleaner. Spray on, let soak for a few minutes, wipe and rinse clean.
- The black metal work may be preserved and polished by regular cleaning with any furniture polish applied according to manufacturer's instructions. The brass parts of the enclosure have a lacquer finish and the use of brass and silver polish may damage the brass. They should only be cleaned with a soft damp towel or dust cloth.

CAUTION: Glass must be at room temperature before cleaning!

WARNING

Tempered glass is breakable, just any other glass. For this reason, certain precautions should be taken. Tempered glass breaks into small pieces and these pieces tend to fly about the area. For this reason, you should never sit with your face or other bare skin close to the glass. In the unlikely event that the glass should break, it will shatter into small pieces which could burn skin or melt synthetic carpets. So, you the consumer, must protect against burns by using a protective hearth rug in front of the fireplace.

GENERAL SAFEGUARDS

- Burning trash, scraps (construction) or railroad ties is not recommended for use with this enclosure. Intense heat can cause loss of temper in glass and the fumes from this can create health hazards.
- Intense heat such as hot ashes, coals, or logs coming in contact with the back of the enclosure will cause tarnishing or discoloration to the brass.

FIVE YEAR LIMITED WARRANTY FOR TRADITIONAL & TOTALVIEW INSIDE FIT GLASS DOORS

Stoll Fireplace Equipment, Inc. warrants this product to the original retail purchaser against defects in materials and workmanship for a period of five years (glass for a period of one year) from date of the original retail purchase. Stoll Fireplace Equipment, Inc. will replace, at no charge to the original retail purchaser, any part that fails due to a defect in materials or workmanship.

This warranty covers only parts and applies only to products purchased for consumer use. This warranty does not cover damage which occurs in transit or results from alteration, accident, misuse, abuse, or improper installation. It also makes no warranty as to maximum temperature and stresses which may cause discoloration of the brass. Stoll Fireplace Equipment, Inc. shall not be liable for consequential or indirect damages which are caused by defects in its' product, by its' repair or replacement. Some states do not allow the exclusion, limitation, incidental or consequential damages, so the exclusion or limitation in the preceding sentence may not apply to you.

If you need to take advantage of this limited warranty during the five year period, simply bring the part to your Stoll Fireplace Equipment, Inc. dealer for adjustment. Proof of the original purchase date will be required in order for you to take advantage of the limited warranty. The implied warranties of merchantability and fitness for a particular purpose which may arise under state law are also limited in duration to five years from the original purchase of this product. Some states do not allow limitations on how long and implied warranty lasts, so this limitation may not apply to you.

If you have questions or problems with your five year warranty on this product write to: Stoll Fireplace Equipment, Inc. - 153 Hwy 201 - Abbeville, SC 29620.

When ordering replacement parts, always provide height, width, and model number.

THANK YOU FOR CHOOSING A STOLL PRODUCT!

• Stoll Fireplace Equipment, Inc. was established in 1970 by Mr. William Stoll Sr. His Christian values continue to be the guiding principles of the company's ethical standards, customer satisfaction, and product quality.

• Our goal at Stoll Fireplace:

To honor God with our business.

To treat others as we would like to be treated.

To have those we do business with become our friends.

• We will do our best to give you a quality product.

• Honesty is not a question mark, and to correct mistakes is an opportunity to show integrity.

• A satisfied customer is our pledge to you.

FOR GOD SO LOVED THE WORLD, THAT HE GAVE HIS ONLY BEGOTTEN SON, THAT WHOSOEVER BELIEVETH IN HIM, SHOULD NOT PERISH BUT HAVE EVERLASTING LIFE. - JOHN 3:16
