



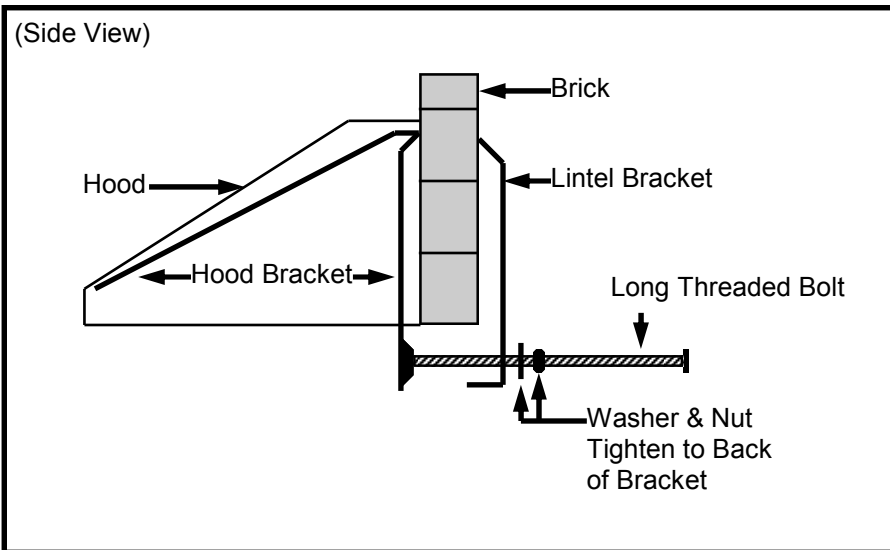
## Fireplace Hoods

For Manufactured Fireboxes and Masonry Fireplaces

# Installation Instructions

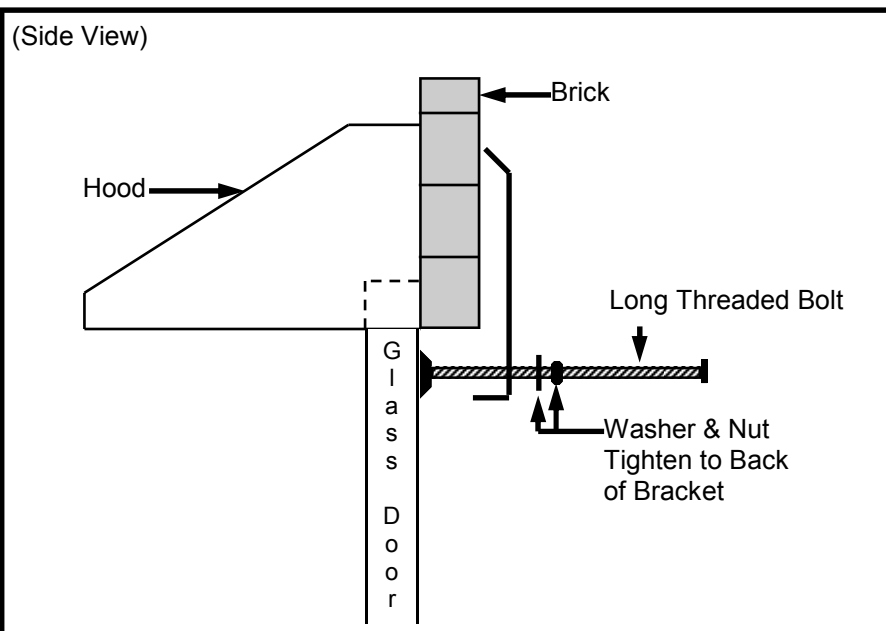
### INSTALLATION ON MASONRY FIREPLACE

1. Screw nut onto long threaded bolt, add washer, then lintel bracket.
2. Insert hood bracket into hood.
3. Screw long threaded bolt into nut welded onto hood bracket.
4. Slide lintel bracket assembly into fireplace.
5. Center hood above fireplace opening.
6. Attach to brick by tightening nut.



### INSTALLATION WITH STOLL ENCLOSURE

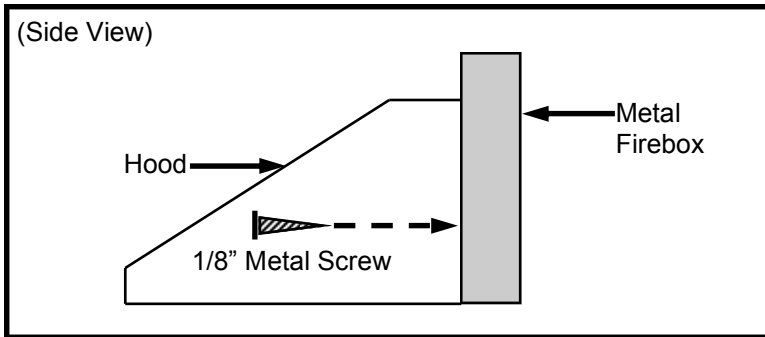
1. Slide hood between enclosure and masonry.
2. Follow installation instructions for enclosure. The pressure of the enclosure against the masonry will hold the hood in place.



---

## INSTALLATION ON MANUFACTURED FIREBOX

1. Center hood above firebox opening.
2. Screw the two 1/8" metal screws through back of hood and into firebox framing.



## FIVE YEAR LIMITED WARRANTY FOR FIREPLACE HOODS

Stoll Fireplace Equipment, Inc. warrants this product to the original retail purchaser against defects in materials and workmanship for a period of five years from date of the original retail purchase. Stoll Fireplace Equipment, Inc. will replace, at no charge to the original retail purchaser, any part that fails due to a defect in materials or workmanship.

This warranty covers only parts and applies only to products purchased for consumer use. This warranty does not cover damage which occurs in transit or results from alteration, accident, misuse, abuse, or improper installation. It also makes no warranty as to maximum temperature and stresses which may cause discoloration of the brass. Stoll Fireplace Equipment, Inc. shall not be liable for consequential or indirect damages which are caused by defects in its' product, by its' repair or replacement. Some states do not allow the exclusion, limitation, incidental or consequential damages, so the exclusion or limitation in the preceding sentence may not apply to you.

If you need to take advantage of this limited warranty during the five year period, simply bring the part to your Stoll Fireplace Equipment, Inc. dealer for adjustment. Proof of the original purchase date will be required in order for you to take advantage of the limited warranty.

The implied warranties of merchantability and fitness for a particular purpose which may arise under state law are also limited in duration to five years from the original purchase of this product. Some states do not allow limitations on how long and implied warranty lasts, so this limitation may not apply to you.

If you have questions or problems with your five year warranty on this product write to:

Stoll Fireplace Equipment, Inc. - 153 Hwy 201 - Abbeville, SC 29620.

When ordering replacement parts, always provide height, width, and model number.

---

## THANK YOU FOR CHOOSING A STOLL PRODUCT!

- Stoll Fireplace Equipment, Inc. was established in 1970 by Mr. William Stoll Sr. His Christian values continue to be the guiding principles of the company's ethical standards, customer satisfaction, and product quality.

- Our goal at Stoll Fireplace:

To honor God with our business.

To treat others as we would like to be treated.

To have those we do business with become our friends.

- We will do our best to give you a quality product.
- Honesty is not a question mark, and to correct mistakes is an opportunity to show integrity.
- A satisfied customer is our pledge to you.

**FOR GOD SO LOVED THE WORLD, THAT HE GAVE HIS ONLY BEGOTTEN SON, THAT WHOSOEVER BELIEVETH IN HIM, SHOULD NOT PERISH BUT HAVE EVERLASTING LIFE. - JOHN 3:16**

---